

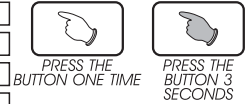
Thank you for purchasing "KOSO radar series tochometer", led night-back-lighted, multi-function in one. easy-wiring, clear-controlling and easy-using.

Notice

1. The lcd meter is apply for **DC 12V**.
2. For installation, please follow the steps described in manual. Any damage caused by wrong installation shall be imputed to the users.
3. To avoid the short circuit, please don't pull the wire when installing. Don't break or modify the wire terminal.
4. Do not disassemble or change any parts excluding the manual description.
5. The interior examination or maintenance should be executed by our professionals.

MARK MEANING:

- NOTE** You could get the installation details from the information behind the mark.
- △ Some processes must be followed to avoid the affection caused by wrong installation.
- WARNING!** Some processes must be followed to avoid damages to yourself or the public.
- CAUTION!** Some processes must be followed to avoid the damage to the vehicle.



1-1 Accessory

| | | | |
|--|--|---|--|
| <p>1 LCD meter X 1</p> | <p>2 Meter main wire set X 1</p> | <p>3 RPM wire set (Type A) X 1</p> | <p>4 RPM wire set (Type B) X 1</p> |
| <p>5 Temp sensor wire set X 1</p> | <p>6 PT 1/8 water temp sensor X 1</p> | <p>7 Connect terminal X 3</p> | <p>8 Meter bracket X 1</p> |
| <p>9 Handle bar bracket X 1</p> | <p>10 Rubber X 1</p> | <p>11 M6 X P1.0 screw X 1</p> | <p>12 M5 X P0.8 nut X 2 M6 X P1.0 nut X 1</p> |
| <p>13 M5 gasket X 2 M6 gasket X 1</p> | <p>14 Aluminum bush X 1</p> | <p>15 Manual</p> | |

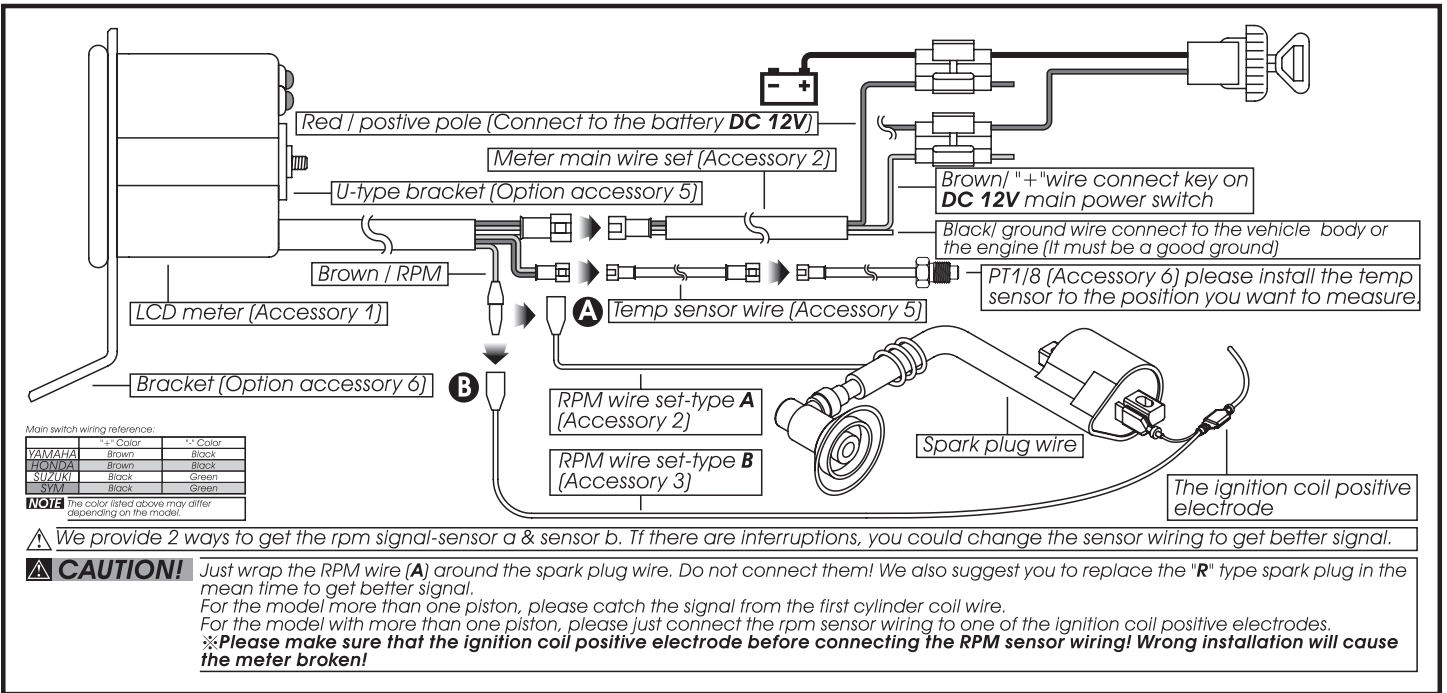
NOTE Please contact the local distributor if the items you open are not the same, with the above-listed one.

1-2 Option accessory

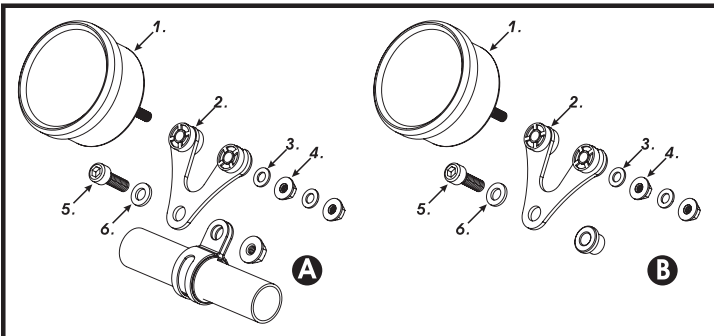
| | | | |
|--|---|--|---|
| <p>1 Oil temp sensor adapter</p> <p>M12 X P1.5 X 15L M14 X P1.25 X 15L M14 X P1.5 X 15L M16 X P1.5 X 15L M18 X P1.5 X 15L M20 X P1.0 X 15L M20 X P1.5 X 15L</p> | <p>2 Water temp sensor adapter</p> <p>M14 M16.M18 M22.M26m/m</p> | <p>3 Cylinder head temp sensor</p> <p>M10. M14m/m</p> | <p>4 Temp sensor</p> <p>M10 X P1.0 M12 X P1.5 M14 X P1.25 M14 X P1.5 M16 X P1.5 / M18 X P1.5</p> |
| <p>5 U-type meter bracket</p> | <p>6 Mirror hole meter bracket</p> | <p>7 Universal adhesive bracket</p> | |

NOTE Some of the option accessories may not sell. For the details, please contact the local distributor.

2-1 Wiring installation instructions



2-2 Installation instructions



When installing, please follow the process.

1. Lcd meter (Accessory 1)
 2. Meter bracket (Accessory 8)
 3. M5 gasket X 2 (Accessory 13)
 4. M5 X P0.8 nut X 2 (Accessory 12)
 5. M6 X P1.0 screw (Accessory 11)
 6. M6 gasket (Accessory 13)
- A** Use the meter bracket (Accessory 12), handle bar bracket (Accessory 9), rubber (Accessory 10) and the nut to install the speedometer on the handle bar.
- B** Use the aluminum bush (Accessory 14) to install the speedometer on the handle bar stem.

3 Instruction of function

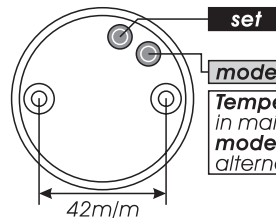


Tachometer

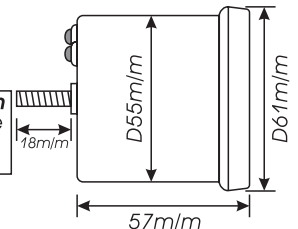
- Display range: 0~9000 RPM.
- Display unit: 100 RPM.

Temperature

- Display range: 0~150 °C (32~302 °F).
- Display unit: 0.1 °C (°F).



Temperature unit switch in main screen, press the mode button to alternate °C with °F.



4 Strokes / pistons setting instruction



In main screen, Press THE SET & MODE button for 3 seconds to enter the STROKE SETTING SCREEN.



EX. we want to set the stroke as 4 stroke 4 piston. press mode button to choose the stroke we want.

⚠ now 2C (The number you want to set) & RPM is flashing.



Press set button to enter the piston setting screen.



Press mode button 3 times, to choose the pistons setting.

⚠ Now 1P (The number you want to set) & RPM is flashing.



Press set button, to back the main screen.



Main screen.

P.S.



- Make sure the correct strokes and pistons before setting.
- Make sure the input is correct, or the RPM output will be incorrect.
- We define the engine with the ignition system ignites every 360 degree as 2-stroke and the engine with the ignition system ignites every 720 degree as 4-stroke.
- Some 4-stroke bikes with one single piston are igniting 360 degree once, so the setting should be the same as the bike with 2-stroke and one piston engine.
- 2-stroke pistons are 1,2,3,4. 4-stroke pistons are 1,2,3,4,5,6,8,10,12.